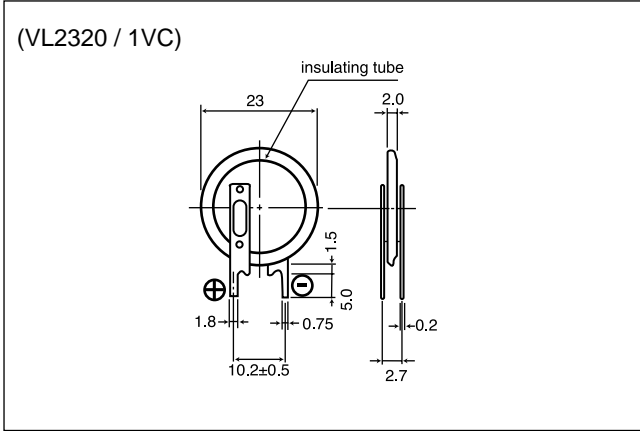


VL2320

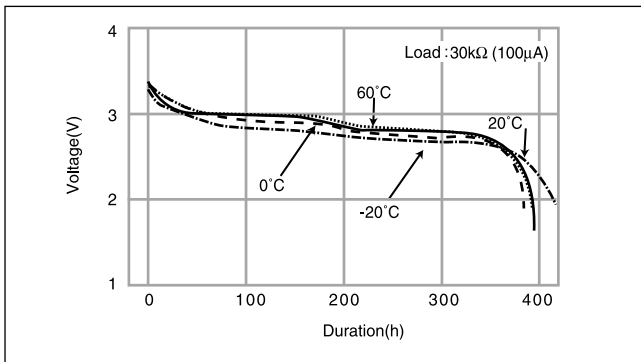
■ Dimensions(mm)



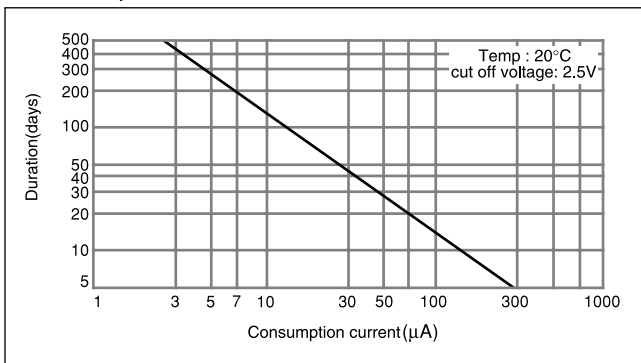
■ Specification

Nominal voltage(V)	3
Nominal capacity(mAh)	30.0
Continuous standard load(mA)	0.1
Operating temperature(°C)	-20 ~ +60

■ Discharge Temperature Characteristics

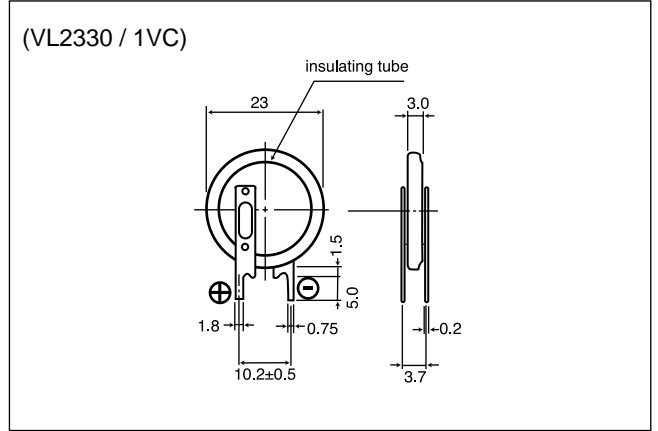


■ Consumption current vs. Duration time



VL2330

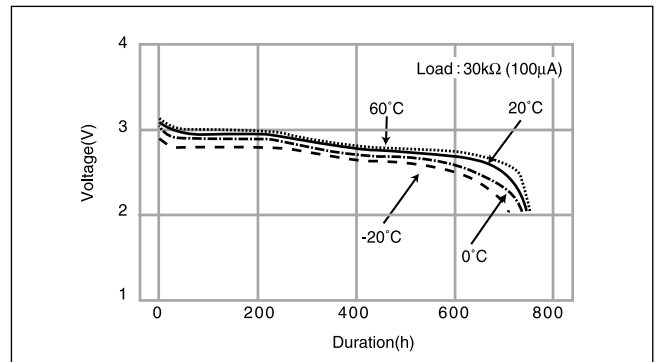
■ Dimensions(mm)



■ Specification

Nominal voltage(V)	3
Nominal capacity(mAh)	50.0
Continuous standard load(mA)	0.1
Operating temperature(°C)	-20 ~ +60

■ Discharge Temperature Characteristics



■ Consumption current vs. Duration time

